

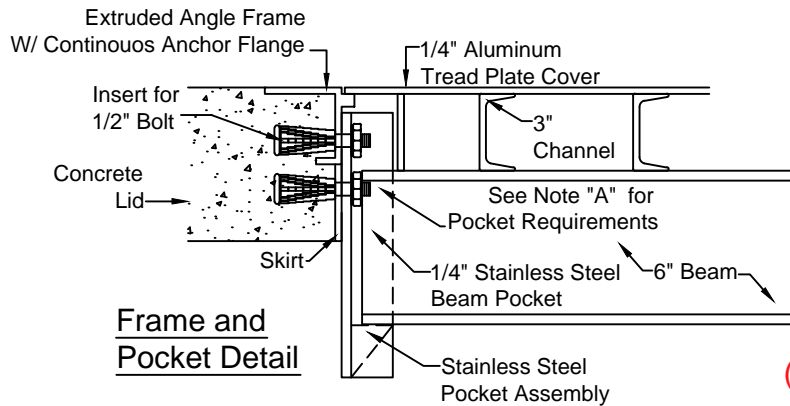
Plan View

Hatch and Safety Grate Side Elevation

**K&B STEEL**

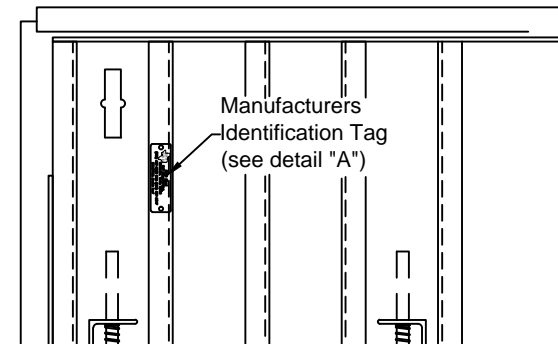
K&B Steel  
525 Industrial Blvd.  
Clarksville, Texas 75426  
(903) 427-3980 FAX: (903) 427-5817  
DHA4872AL Double Leaf

Detail (A) : Identification Tag Detail

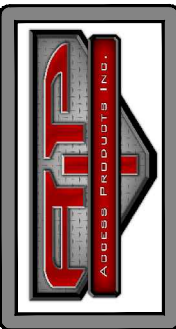


Frame and Pocket Detail

( Skirted for 7" Pour )



Hatch Identification Tag



- Note:
1. Extruded Angle Frame
  2. H-20 Loading
  3. Spring Assist
  4. (316) SS Hardware & Hinges

Aluminum Double Leaf H20 Access Hatch  
DHA4872AL 48 x 72 I.D. w/o Safety Grate

K&B Steel (Formerly Access Products, Inc.)  
E-Mail: kbsteel@valornet.com  
525 Industrial Blvd. Clarksville, Texas 75426  
Phone: (903) 427-3980 FAX: (903) 427-5817